

PATENT
EXPRESS MAIL LABEL NO. EV394058915US

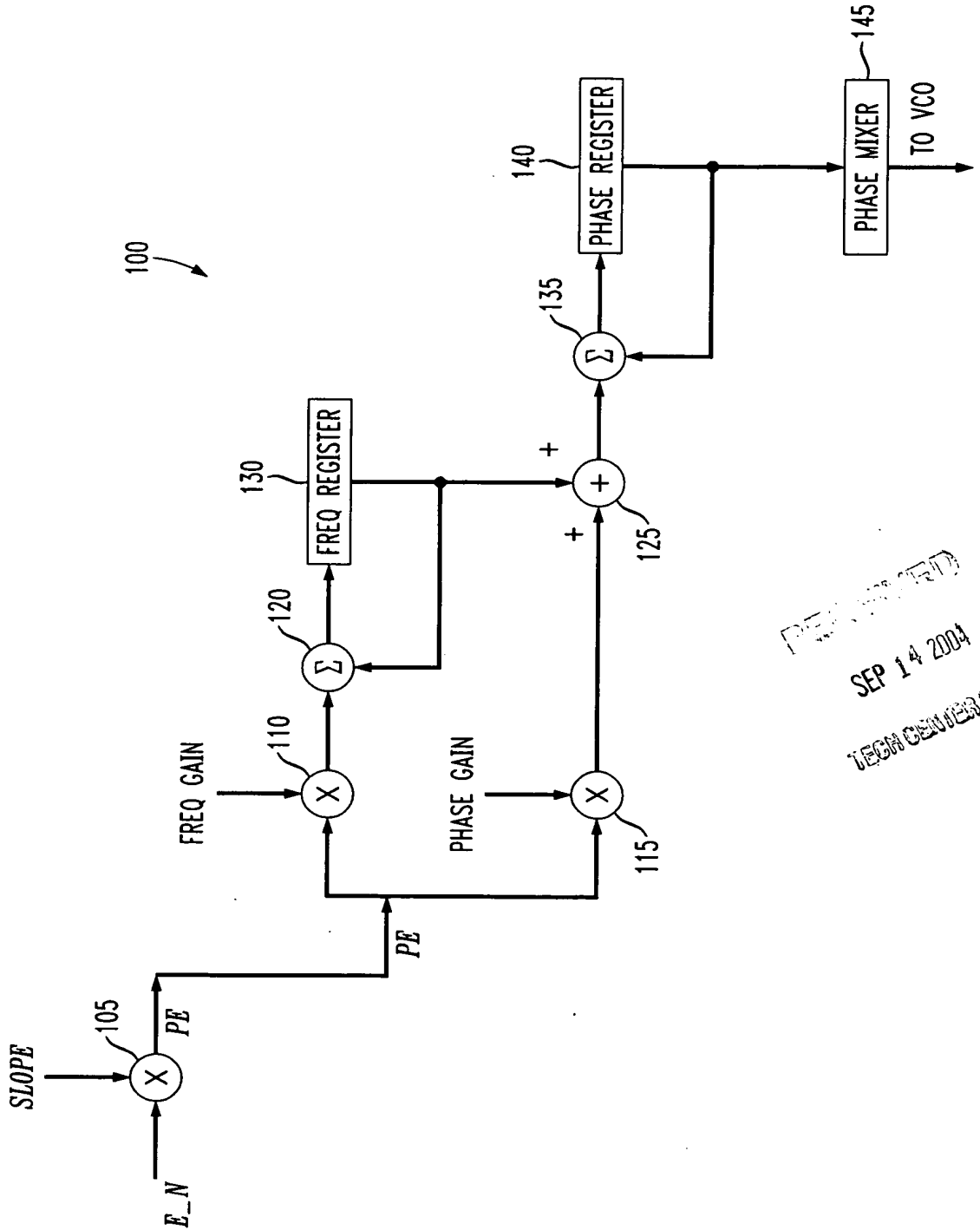
Annampedu 1
D8143-00305

II. Amendments to the Drawings

Please substitute amended drawing Sheet 1 amending Figure 1 for drawings Sheet 1 filed with the application. Please also add drawings Sheet 7 adding Figure 8 to the application. A complete set of drawings Sheets 1-7 is submitted herewith.



FIG. 1
PRIOR ART



RECEIVED
SEP 14 2004
TECH CENTER 2300



FIG. 2

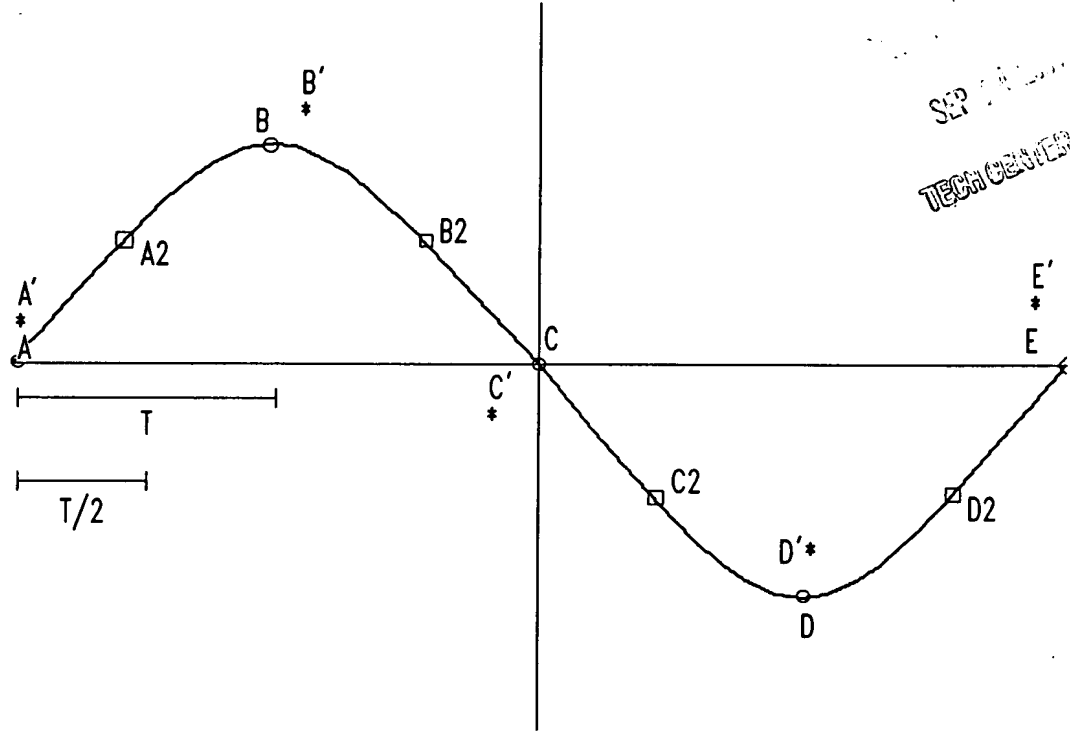


FIG. 3

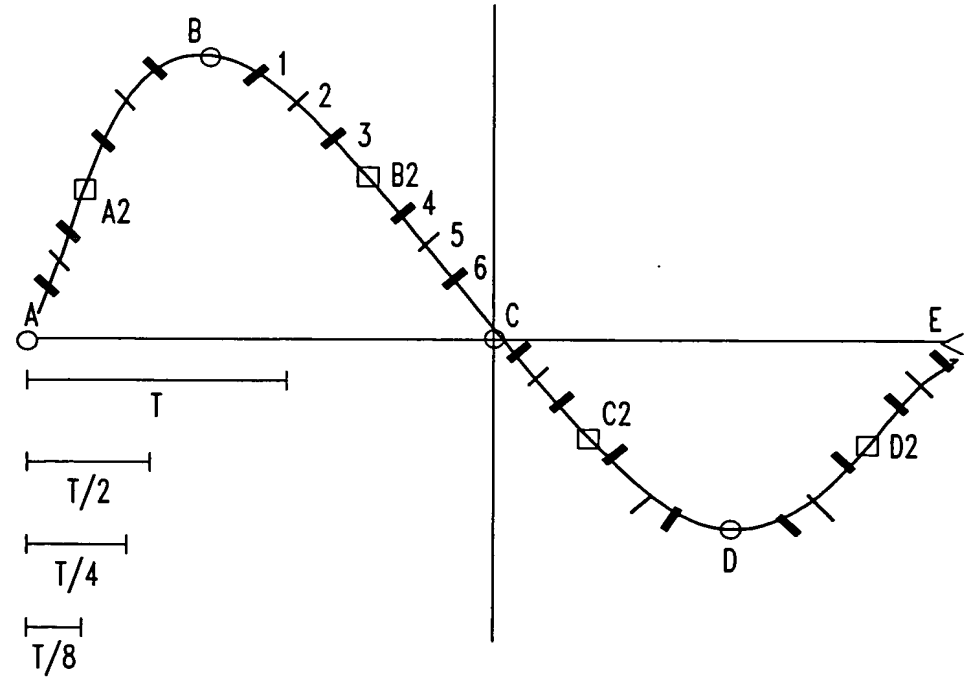
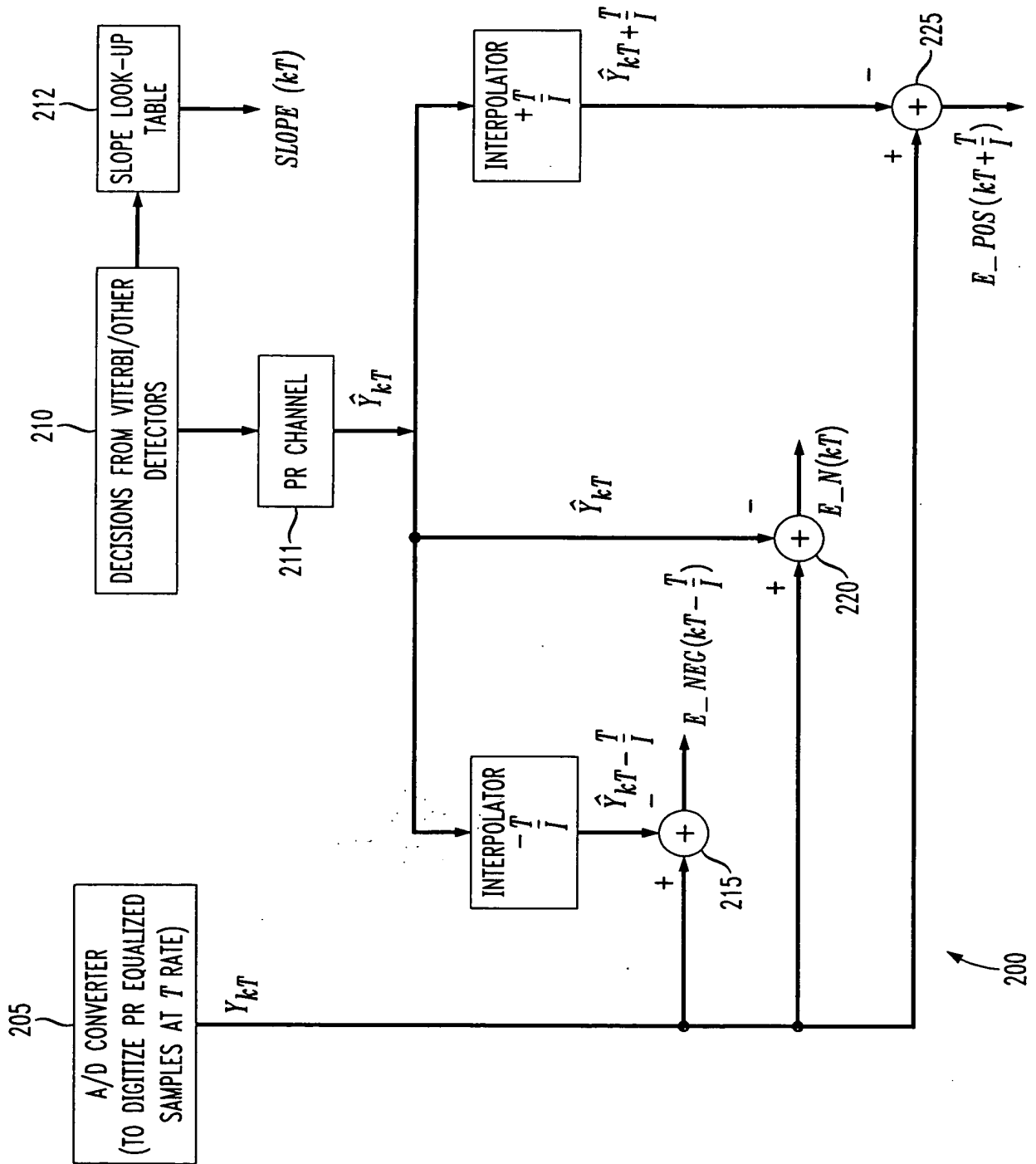




FIG. 4

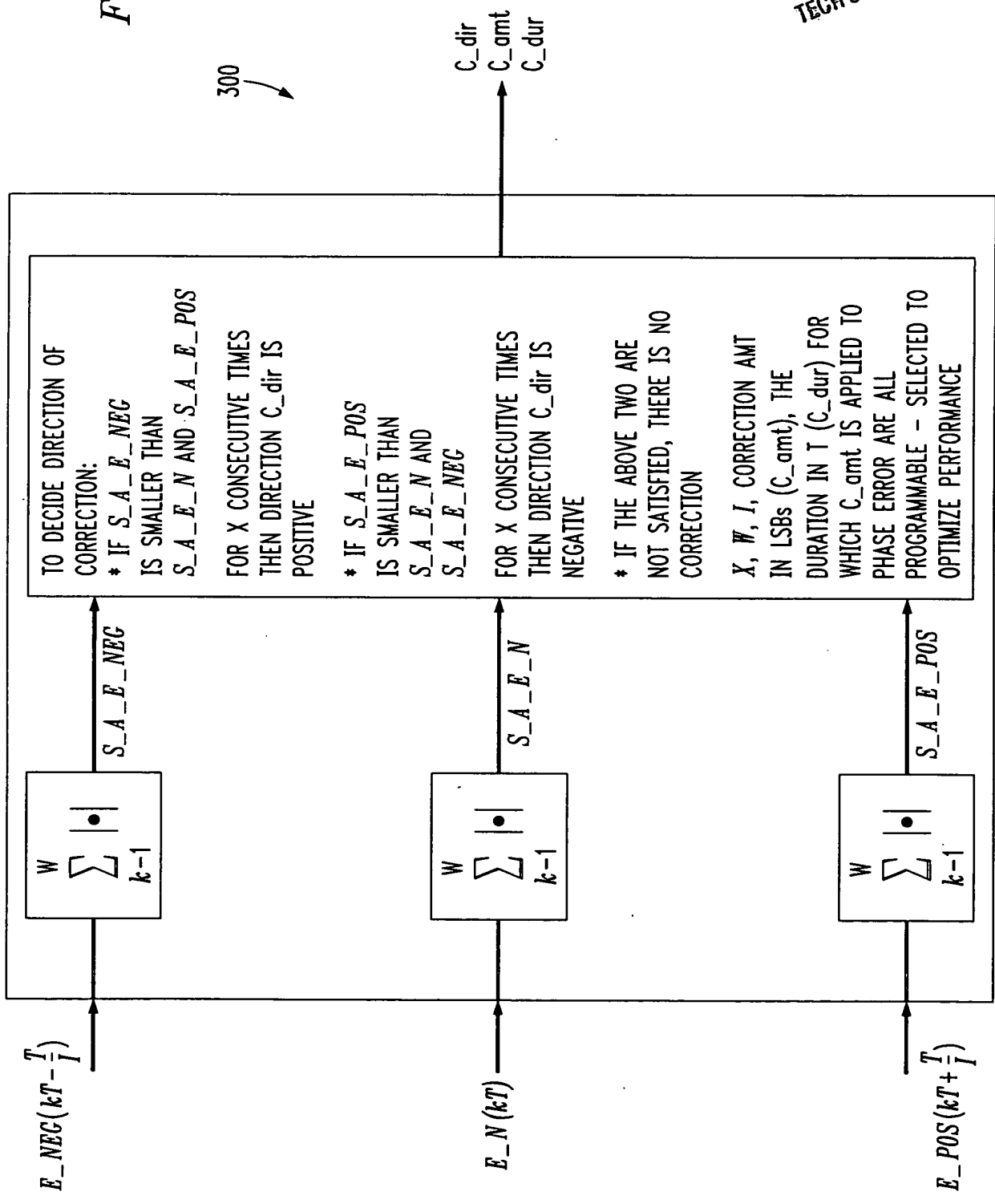


200



RECEIVED
 SEP 14 2004
 TECH CENTER 2800

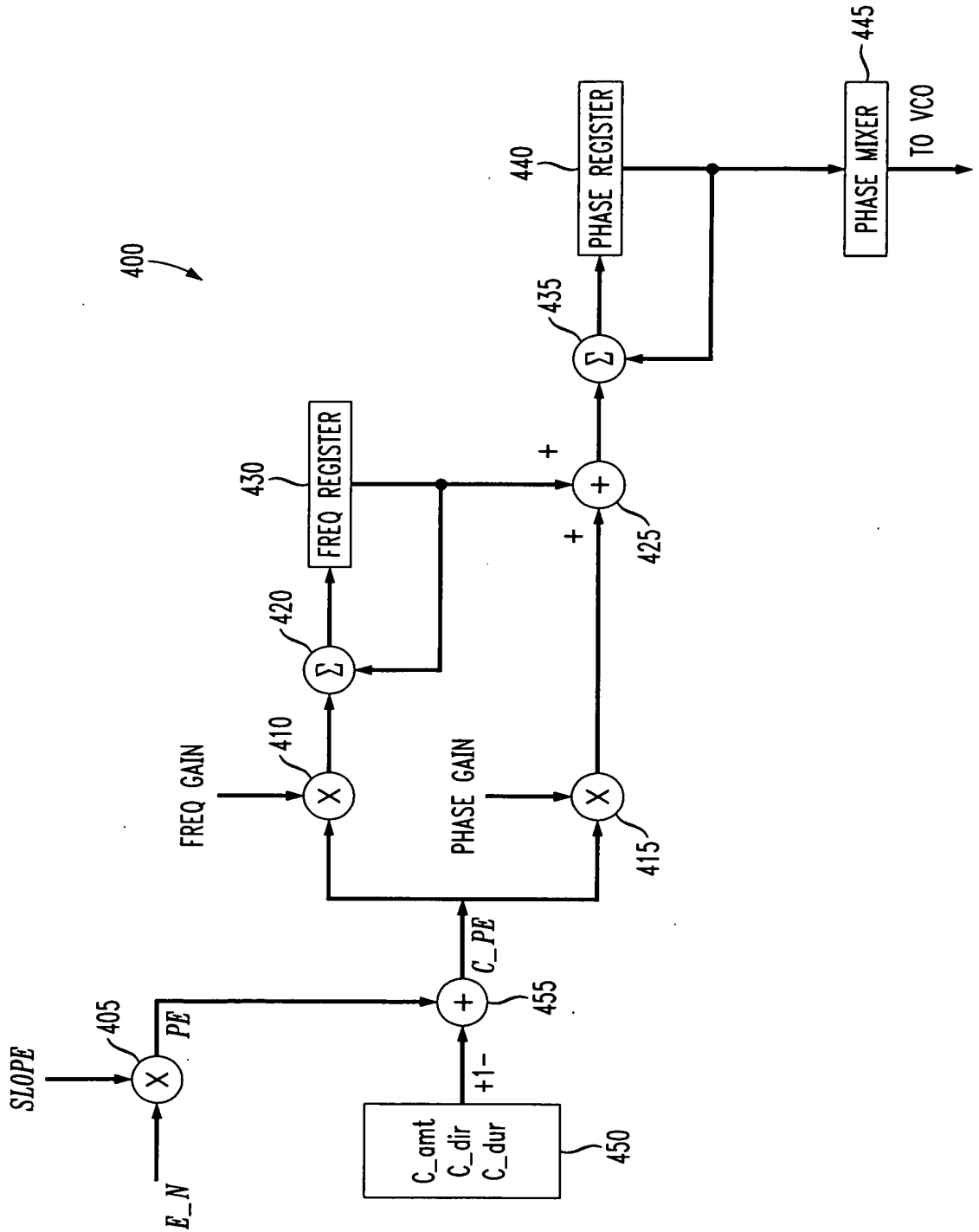
FIG. 5





RECEIVED
SEP 14 2004
TECH CENTER 2000

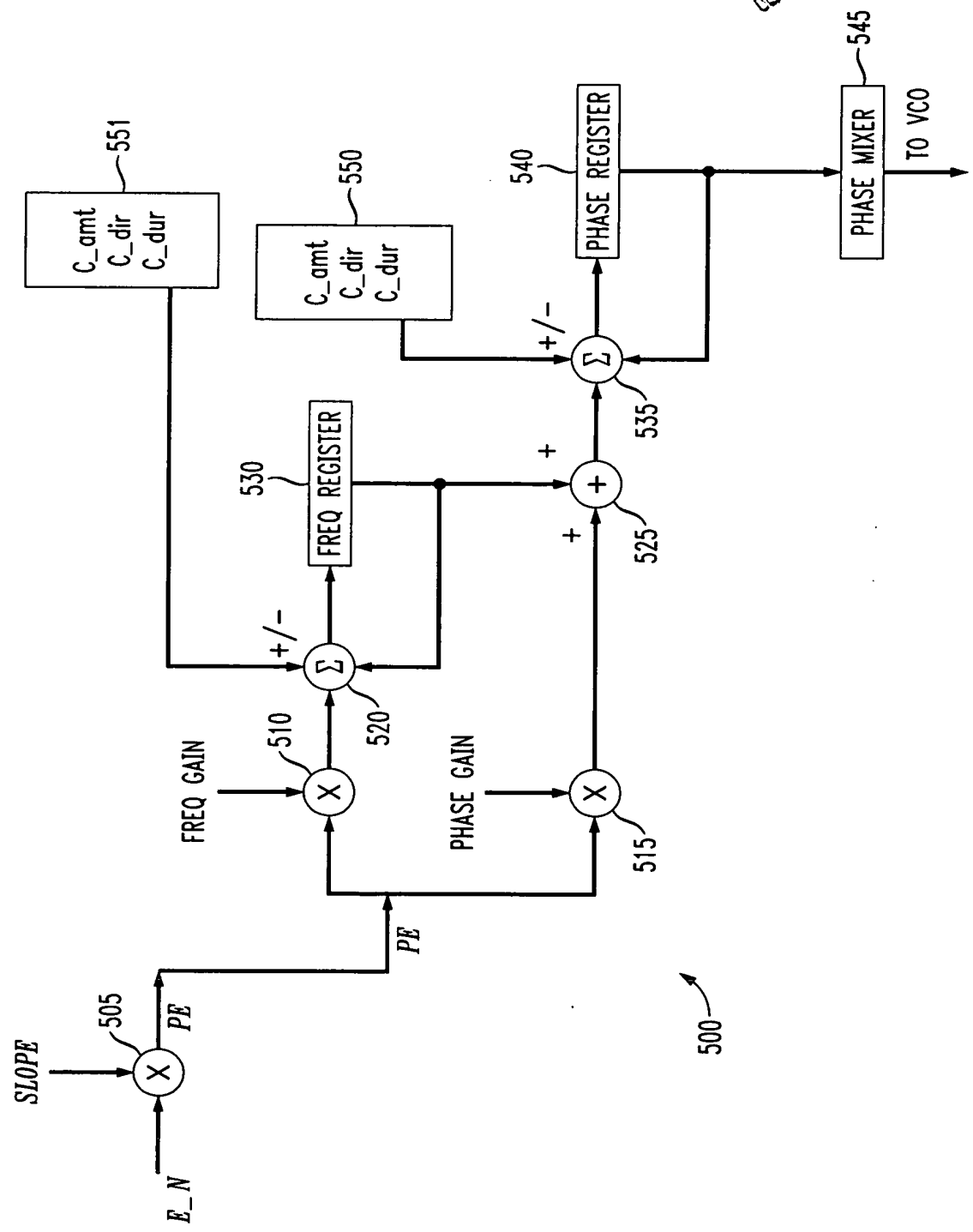
FIG. 6





RECEIVED
SEP 14 2004
TECHNOLOGY CENTER

FIG. 7





RECEIVED
SEP 14 2004
TECHNOLOGY

FIG. 8

